



# INSTALLATION AND OPERATION GUIDE FOR HARGROVE GAS LOGS KIVA SET - NATURAL GAS



**ADEQUATE FIREPLACE VENTILATION IS REQUIRED FOR SAFETY.  
GAS LOGS MUST BE INSTALLED BY PERSONNEL QUALIFIED FOR  
INSTALLING GAS APPLIANCES.**

**NOTE!** READ INSTRUCTIONS FULLY BEFORE INSTALLING OR OPERATING.  
**INSTALLERS LEAVE THESE INSTRUCTIONS WITH THE CONSUMER!**

Hargrove Manufacturing Corporation uses refractory material to create ceramic logs. Each log is hand finished to assure the most realistic, detailed log available. The gas log burner system is designed to burn like wood with a yellow smoky flame. For this reason the gas log set must be burned only in a fully vented, non-combustible fireplace with the **damper completely open** and the chimney free of any obstructions or restrictions. The fireplace must be designed and approved to burn wood. The minimum permanent, free opening provided by the fireplace chimney must be 8" in diameter (50 square inches). The realistic yellow flame produces carbon monoxide and soot. Under normal conditions these products are exhausted up the chimney. If fumes or soot from the gas burning are evident in the room when the damper is fully open, it indicates that the fireplace draft is defective. Do not operate your gas log set until the fireplace draft is corrected.

**IT IS THE HOMEOWNERS RESPONSIBILITY TO ASSURE  
THEIR FIREPLACE HAS ADEQUATE DRAFT.**

**WARNING: IF THE INFORMATION IN THIS MANUAL IS NOT FOLLOWED EXACTLY, A FIRE  
OR EXPLOSION MAY RESULT CAUSING PROPERTY DAMAGE, PERSONAL INJURY OR  
LOSS OF LIFE.**

**ADEQUATE VENTILATION IS REQUIRED.**

**FOR YOUR SAFETY**  
IF YOU SMELL GAS:

1. OPEN WINDOWS
2. DON'T TOUCH ELECTRICAL SWITCHES
3. EXTINGUISH ANY OPEN FLAMES
4. IMMEDIATELY CALL YOU GAS SUPPLIER

FLAMMABLE VAPORS MAY BE DRAWN BY AIR CURRENTS FROM OTHER AREAS OF YOUR HOUSE TO THIS APPLIANCE.

THE SIZE CHART BELOW INDICATES THE MINIMUM SIZE FIREPLACE OPENINGS IN, WHICH DIFFERENT SIZE GAS LOG SETS CAN BE INSTALLED.

**FIREPLACE SIZES**

| GAS LOG SET SIZE | DEPTH | FRONT WIDTH |
|------------------|-------|-------------|
| 10"              | 13"   | 20"         |

**FOR YOUR SAFETY**  
DO NOT STORE OR USE GASOLINE OR OTHER FLAMMABLE VAPORS AND LIQUIDS IN THE VACINITY OF THIS OR ANY OTHER APPLIANCE.

## GENERAL INFORMATION

**DO NOT USE A NATURAL GAS SET FOR PROPANE OR A PROPANE SET FOR NATURAL GAS. WHEN USING PROPANE (LPG) GAS AN AUTOMATIC PILOT SYSTEM MUST BE INSTALLED.**

1. There are many different local codes for gas fire logs. The installation of this set must conform with local codes or, in the absence of local codes, to the National Fuel Gas Code ANSI Z223.1 1999.
2. **This log set is designed for use with Natural Gas.**
3. When glass fireplace doors are used, always operate gas log set with the doors fully open to allow for proper combustion air.
4. A fire screen must be in place when the log set is in use.
5. The appliance and its individual shut off valve must be disconnected from the gas supply piping system at test pressures in excess of ½ psig. The appliance must be isolated from the gas supply piping system by closing its individual manual shut off valve during any pressure testing of gas supply system at test pressures equal to or less than ½ psig.
6. Minimum inlet supply pressure for Natural Gas is 7" water column. Maximum inlet supply pressure for Natural Gas is 10 ½" water column.
7. After burning, the logs become fragile and should not be handled. Knocking or rubbing logs can cause concrete to crumble and is not covered under the warranty.
8. Use a soft, dry paintbrush for periodic dusting of the gas fire logs. Special care must be taken to clean the birch logs. Rubbing will remove soot but will also remove the white pigments.

**NOTE:** PERSONNEL QUALIFIED TO INSTALL GAS APPLIANCES MUST INSTALL GAS LOGS.

## INSTALLING YOUR HARGROVE GAS LOGS

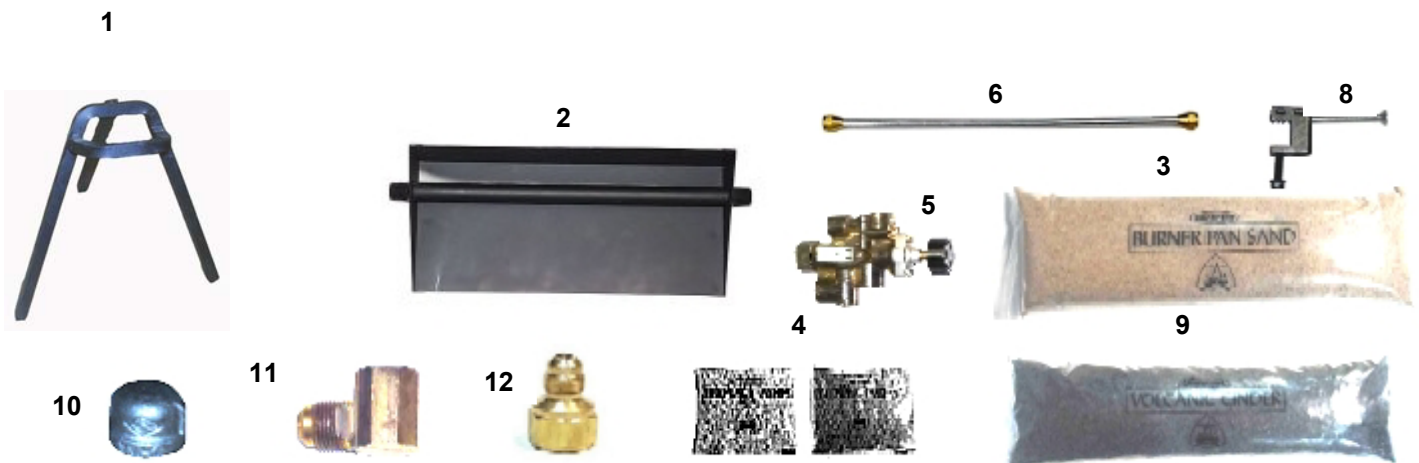
Remove all the parts from the shipping container. Your set includes the following parts:

### Number by Set

1. Kiva Grate
2. Ember Burner
3. Sand
4. Fire Embers
5. Safety Pilot Control (optional)
6. Aluminum Connector
7. Fire Logs
8. Damper Stop (optional)
9. Volcanic Cinders
10. Black Cap
11. Brass Elbow
12. Standard Orifice

### 10" Kiva Sets

- KV-10
- EB-10
- SD
- EM
- CPC
- AC-18
- \*Number of logs determined by set size. Logs not illustrated.
- DS
- VC
- CAP-8
- 50-6-8
- 46-6-8



## DAMPER STOP (Optional)

Attach the damper stop clamp to the fireplace damper blade. Position the clamp to prevent full closure of the fireplace damper blade.  
(See Figure 1)

If the damper stop provided does not fit, the installer shall install a permanent damper stop that will keep the damper open a minimum of 3".

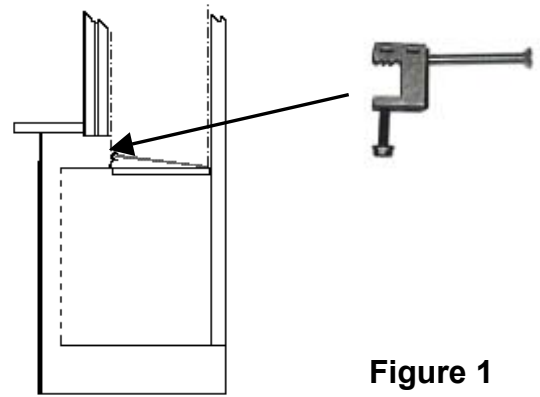
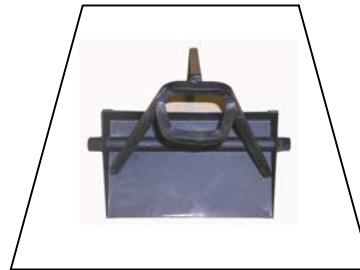


Figure 1

## EMBER BURNER POSITIONING

1. Turn gas **off**.
2. Remove old log lighter, ashes, and other material from the firebox.
3. Center the **ember burner** on the fireplace floor with the burner pipe completely visible from the front. For best results, the ember burner should be directly under the flue opening with a minimum of 4" from the front edge of the ember burner to the fireplace opening.
4. Place the **grate** over the ember burner so the front legs of the grate are just in front of the burner pipe. Once the final positioning is established, mark the burner and grate position on the floor of the fireplace for reference points. Remove the grate and proceed with the gas connection  
(See Figure 2)

TOP VIEW  
BURNER GRATE  
POSITIONING



SIDE VIEW  
BURNER/GRATE  
POSITIONING



Figure 2

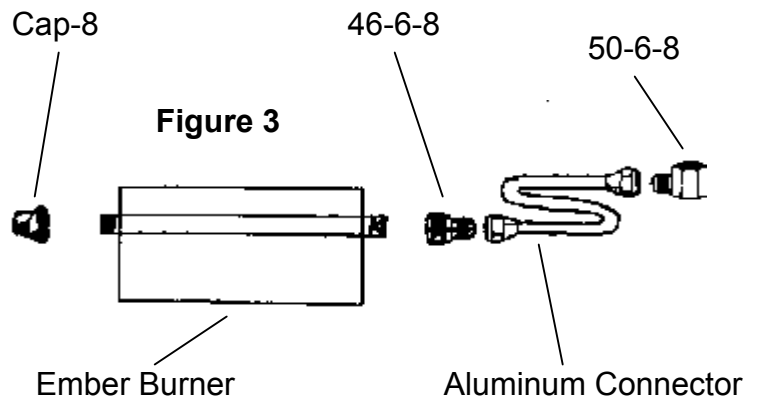


Figure 3

## GAS CONNECTION

1. The gas supply line should be  $\frac{1}{2}$ " inside diameter (ID) up to 30 feet and  $\frac{3}{4}$ " for longer distances.
2. Tighten the **black pipe cap** on the end of the burner pan pipe.
3. Use the **aluminum connector** to connect the gas supply to the ember burner. When bending the aluminum tubing use proper bending procedures to avoid kinking the tube. (If a safety pilot control is used follow the instructions included for connecting the gas to the pilot control)
4. Check all connections for leaks using a soapy water solution.
5. Damper must remain fully open during operation. Place a lighted match next to the burner pipe. Do not hold the match in your hand while lighting the gas. Turn the gas supply on slowly until the gas ignites. Check the flame for even distribution, flame height, and gas pressure. After checking the flame, turn off the fire. (Turn the gas valve to the **off** position to turn the fire off.) Do not close the damper until all the flames have died. Keep the glass doors fully open during all burning.  
(See figure 3)

## BURNER PAN MEDIA

1. Fill the burner pan with **silica sand**. Sand level should be sloped evenly with the sides of the ember burner.
2. **Part B Embers** (rockwool) are placed over the sand to simulate glowing embers. For best results pinch off pieces of the Part B material the size of a dime and feather it out. Place as much as desired over the area the gas comes through. Burner should be completely full and level.
3. Light the gas and observe flame for even distribution. After checking the flame, turn off the fire. (Turn the gas valve to the **off** position to turn the fire off.) Do not close the damper until all the flames have died. Keep the glass doors fully open during all burning.
4. Sprinkle the **Part A Embers** on top of the Part B Embers and can be sprinkled on the cinder for effect. (See Figure 4)

Refer to the **Pilot Control Lighting Instructions** if installing a **Safety Pilot Control** inside or outside the fireplace.

## GRATE PLACEMENT

Place the **grate** over the ember burner using the reference marks made on fireplace floor earlier.

(See Fig 2)

## LOG PLACEMENT

1. Each log will be placed in a vertical manner resting the top of 3 of the longer logs against the top portion of the grate with the bottom of the log on the fireplace floor.
2. Rest the 2 smaller logs against the larger logs in a vertical manner.
3. Use the pictures in Fig. 5 as a reference for stacking. (See Figure 5.)

## VOLCANIC CINDERS

1. The black **volcanic cinders** are used to cover the fireplace floor, fittings and tubing around the burner system. Although not functional, the black cinders act as a picture frame to show off the glowing embers and yellow flame.
2. The remaining 1/3 **Part A Embers** can now be spread over the volcanic cinders to look like additional fallen ash under the logs.

### FOR YOUR SAFETY

**Do not use this appliance if any part has been under water. Immediately call a qualified service technician to inspect the appliance and to replace any part of the system or gas control that has been under water.**

**Keep this appliance clear and free from combustible materials, gasoline and other flammable vapors and liquids.**

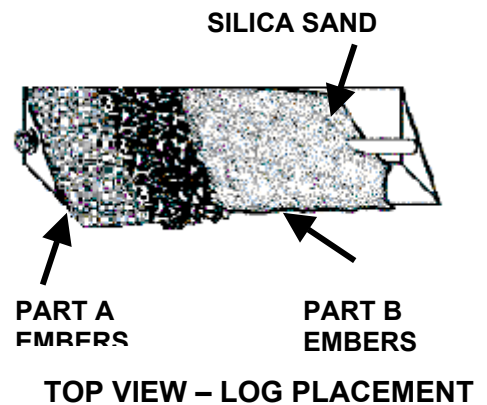


Figure 5

Hargrove Manufacturing Corp.  
207 Wellston Park Rd.  
Sand Springs, OK 74063  
Ph. 800-725-4166