

HARGROVE GAS LOG

36" SUMMIT OAK

PROPANE CONVERSION INSTRUCTION

If you purchased a natural gas log set but will be operating it with propane gas, please follow these conversion instructions for proper conversion and operation.

NOTE: THIS PROPANE MODEL MUST HAVE A RMBE MILLIVOLT PILOT CONTROL INSTALLED (NOT INCLUDED IN THIS CONVERSION KIT). IF YOU PURCHASED YOUR SUMMIT OAK SET WITHOUT A RMBE MILLIVOLT PILOT CONTROL, CONTACT YOUR GAS LOG DEALER BEFORE INSTALLING OR USING THE GAS LOG SET TO PURCHASE A RMBE MILLIVOLT CONTROL.

GENERAL INFORMATION

DO NOT USE A NATURAL GAS MODEL FOR PROPANE GAS OR A PROPANE MODEL FOR NATURAL GAS. WHEN USING PROPANE GAS AN AUTOMATIC PILOT SYSTEM MUST BE INSTALLED.

1. There are many different local codes for fireplaces and gas logs. The installation of this set must conform with local codes or, in the absence of local codes, with the National Fuel Gas Code ANSI Z223.1
2. **This conversion kit is supplied with an orificed air mixer and an orifice spud. Failure to use or manipulate the orifices will void the factory warranty.**
3. When glass fireplace doors are used, always operate the gas log set with the doors fully open to allow for proper combustion air.
4. The fire screen must be in place when the log set is in use.
5. The appliance and its individual shut-off valve must be disconnected from the gas supply system at test pressures in excess of 1/2 psig.
6. Minimum inlet supply pressure for propane gas is 8" water column. Maximum inlet supply pressure for propane gas is 14" water column.
7. After burning, the logs become fragile and should not be handled. Knocking or rubbing the logs can cause the concrete to crumble and is not covered under the warranty.
8. Use a soft, dry paintbrush for periodic dusting of the gas fire logs.
9. **Do not burn wood with this set.**

NOTE

ADEQUATE FIREPLACE VENTILATION AND DRAFT IS REQUIRED FOR SAFETY. IT IS THE HOMEOWNER'S RESPONSIBILITY TO ASSURE THAT THE FIREPLACE DRAFTS PROPERLY.

GAS LOGS MUST BE INSTALLED BY PERSONNEL QUALIFIED FOR INSTALLING GAS APPLIANCES.

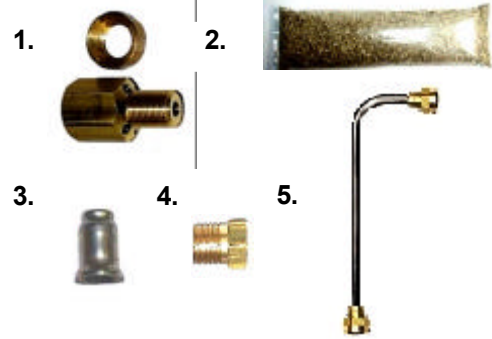
READ INSTRUCTIONS COMPLETELY PRIOR TO INSTALLING AND OPERATING THIS APPLIANCE.

INSTALLER, LEAVE THESE INSTRUCTIONS WITH THE CONSUMER

PARTS INCLUDED

<u>PART NUMBER</u>	<u>DESCRIPTION</u>
1. AM-35 / AM-N	AIR MIXER & AIR MIXER NUT
2. VM	VERMICULITE
3. RSPOS-10	PILOT ORIFICE
4. PPH-2 #48	BB-27 BURNER ORIFICE
5. AC-SU36P	BB-27 CONNECTOR

ILLUSTRATION



INSTALLATION AND OPERATION

1. Remove the embers and set them aside.
2. Disconnect the 1AC-3 connector from the brass three-way fitting(58-8-6) located on the Ember Burner pipe and disconnect the AC-SU36N from the brass three-way fitting (58-8-6). Remove the EB orifice (28-8-6) from the end of the Ember Burner.
3. Discard the sand from the Ember Burner.
4. Install the Air Mixer to the end of the burner pan using pipe joint compound on the threads.
5. Install the Air Mixer Nut on the Air Mixer.
6. Reconnect the brass three-way fitting (58-8-6) to the Air Mixer.
7. Reconnect the RMBE valve assembly to the burner by installing the 1AC-3 connector onto the brass three-way fitting(58-8-6). **See Figure 1** of Installation Diagrams
8. Disconnect the AC-SU36N from the 90° Brass Holder (49-6-6Z2) for the BB-27 Burner orifice.
9. Disconnect the air shutter on the BB-27 burner by removing the self-tapping screw.
10. Remove the 90° Brass Holder (49-6-6Z2) from the air shutter.
11. Remove the PPH-2#30 from the 90° Brass Holder (49-6-6Z2) and replace it with the PPH-2#48.
12. Install the 90° Brass Holder (49-6-6Z2) and PPH-2#48 to the air shutter and install the orifice and air shutter assembly to the BB-27 Burner. *The factory-installed setting for the air shutter opening is 1/8”.
13. Install the AC-SU36P aluminum connector to the 90° Brass Holder (49-6-6Z2) and connect to the brass three-way fitting (58-8-6). **See Figure 2** of Installation Diagrams
14. Remove the natural gas pilot orifice from the thermocouple/pilot burner assembly (RSTPB) and replace it with the RSPOS-10 LP pilot orifice. **See Figure 3** of Installation Diagrams
15. Spread the vermiculite evenly over the pipe of the burner. The vermiculite level should be sloped evenly with the sides and back of the ember burner.
16. Replace the embers on top of the vermiculite. **See Figure 4** of Installation Diagrams

Refer to the RMBE Lighting and Operation Instructions to light the pilot and burner and for operation of this control.

The Air Mixer Nut may be adjusted to change the color of the flame. When the holes of the Air Mixer can be seen the flame will burn light yellow and when the Air Mixer Nut closes the holes the flame will burn a yellow-orange color but will also increase soot. It is recommended that the Air Mixer holes be completely exposed.

INSTALLATION DIAGRAMS

FIGURE 1

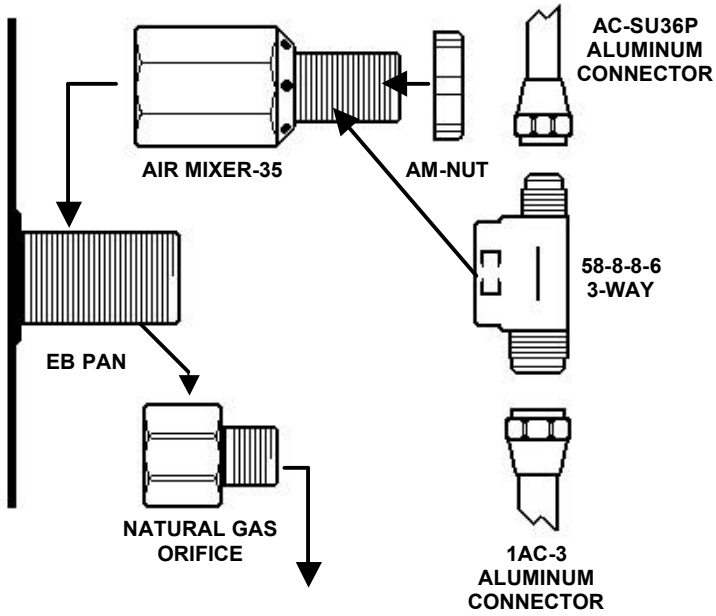


FIGURE 2

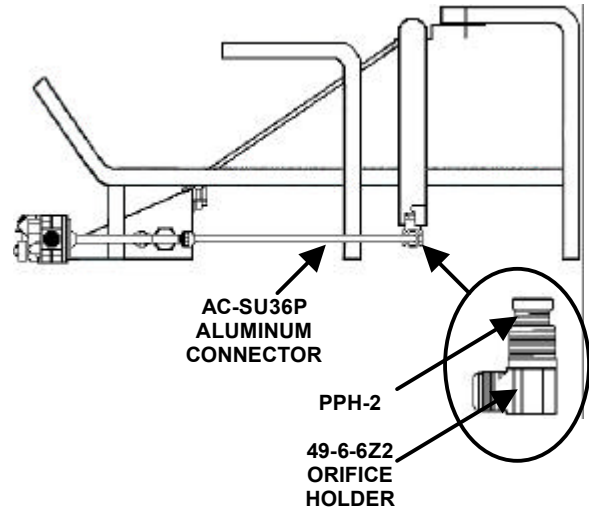


FIGURE 3

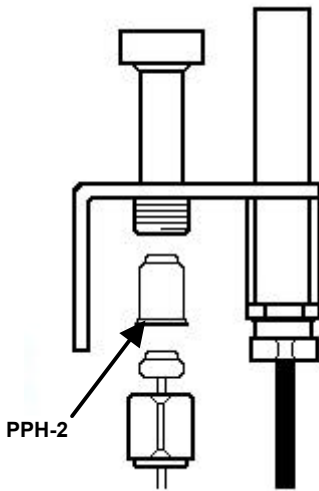


FIGURE 4



COMPLETED CONVERSION

