



# INSTALLATION AND OPERATION GUIDE FOR HARGROVE RADIANT GLOW

MODEL: AKRG5/8NG

Hargrove

**NOTE!** Installation and service must be performed by a qualified installer, service agent, or the gas supplier.

**ADEQUATE FIREPLACE VENTILATION IS REQUIRED FOR SAFETY.  
READ INSTRUCTIONS FULLY BEFORE INSTALLING OR OPERATING.  
INSTALLER: LEAVE THIS INSTRUCTION MANUAL WITH THE CONSUMER!**

Hargrove Manufacturing Corporation uses refractory concrete to create the ceramic logs. Each log is hand finished to assure the most realistic, detailed logs available. The gas burner system is designed to simulate wood burning, with a yellow smoky flame. For this reason the gas log set must be burned only in a vented, non-combustible fireplace with the damper open and the chimney free of any obstruction or restrictions. The fireplace must be designed and approved to burn wood. The realistic yellow flame produces soot and carbon monoxide. Under proper conditions the bi-products will exhaust up the chimney. If fumes or soot are evident in the room when the damper is open; it indicates that the fireplace draft is defective. Do not operate your gas log set until the fireplace draft is corrected.

#### FOR YOUR SAFETY

Do not store or use gasoline or other flammable vapors and liquids in the vicinity of this or any other appliance.

#### FOR YOUR SAFETY

##### WHAT TO DO IF YOU SMELL GAS

1. Do not try to light any appliance.
2. Do not touch any electrical switch.
3. Do not use any phone in your building.
4. Immediately call your gas supplier from a neighbor's phone. Follow the gas supplier's instructions.
5. If you cannot reach your gas supplier, call the fire department.

**WARNING:** If the information in this manual is not followed exactly, a fire or explosion may result causing property damage, personal injury, or loss of life.

It is the homeowner's responsibility to assure their fireplace has an adequate draft.

#### RECOMMENDED BURN-IN PERIOD

Hargrove gas logs are made of refractory materials, which withstand high temperatures. One characteristic of this material is moisture retention. For this reason, we recommend burning the log set for only fifteen minutes during the first burning. After allowing the logs to cool for at least one hour, the set can be burned for any length of time.

#### WARRANTY

Hargrove gas logs carry a limited lifetime warranty against breakage in the original fireplace. This warranty does not include labor. This warranty is void if excessive handling after using the set causes breakage. All accessories and metal parts carry a two-year limited warranty in the original fireplace. Hargrove will replace items during this period for the cost of shipping.

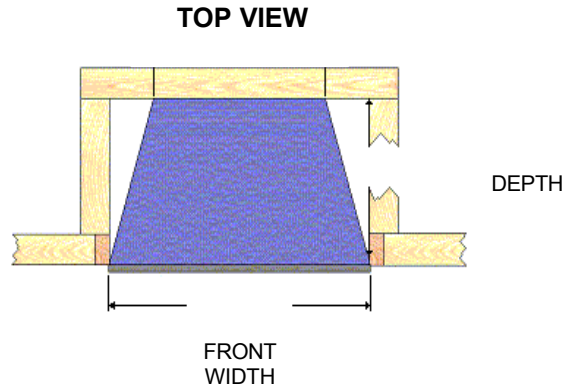
# IMPORTANT INFORMATION

**WARNING: This appliance assembly contains burner assembly orifices specifically for the input gas and Btu rating. Modifying or failure to use the factory orifice may cause property damage, personal injury or loss of life.**

1. This appliance has been assembled for a specified inlet supply gas. Do not use a natural appliance with a propane gas inlet supply. Do not use a propane appliance with a natural gas inlet supply.
2. There are many different local codes for gas log appliances. The installation and the provisions for combustion and ventilation air must conform with local codes and/or in the absence of local codes, with the National Fuel Gas Code ANSI Z223.1 (current revision)
3. A qualified installer, service agent, or the gas supplier must install this appliance.
4. This appliance must be installed only in a solid fuel-burning fireplace with a working flue and constructed of noncombustible material. Solid fuels cannot be used in a fireplace where a Hargrove gas unit has been installed.
5. A permanent free opening must be provided by either the fireplace chimney or chimney damper to vent flue gas. Any chimney damper must be fixed in such a manner, which will maintain the permanent free opening at all times. Use Table II to determine the minimum permanent free opening based upon chimney height and the appliance BTU rate. Refer to the Damper Stop instructions for additional directions.
6. Two factors, chimney height and the BTU rating determine the minimum free opening. Many other factors will affect the fireplace drafting. It is the homeowner's responsibility to assure their fireplace has an adequate draft. If fumes or soot exist in the room while the gas is burning and the damper is open, it indicates that the fireplace draft is defective. Do not operate your gas log set until the fireplace draft is corrected. Consult your fireplace specialist.
7. A fireplace screen must be in place when the appliance is operating unless other provisions for an air supply are provided. The screen shall have openings for the introduction of fresh air for the unit.
8. When glass fireplace doors are used, always operate the gas log appliance with the doors fully open to allow fresh air for the appliance and to keep the components from overheating.
9. The minimum inlet supply pressure for the purpose of input adjustment is 5.0 inches W.C. (natural gas) and 8.0 inches W.C. (propane gas). The maximum inlet supply pressure is 10.0 inches W.C. (natural gas) and 12.0 inches W.C. (propane gas).
10. The appliance and its individual shut off valve must be disconnected from the gas supply piping system during any pressure testing in excess of ½ psig (3.5 kPa). The appliance must be isolated for the gas supply piping system by closing its individual manual shut off valve during pressure tests in excess of ½ psig (3.5 kPa).
11. The fireplace chimney or venting system should be examined annually and cleaned as required by a qualified agency.
12. After burning for several hours the logs become fragile and should not be handled. Knocking or rubbing logs can cause the log to crumble and is not covered under the warranty.
13. Use a soft, dry paintbrush to clean the logs. A periodic dusting may be required to remove carbon deposits. A rubbing action will remove the soot but will also remove some of the color pigments of the log.
14. To clean the burner, shut off the gas supply, remove burner pan media, and vacuum gas ports. After cleaning replace burner pan media and light the pilot according to the lighting instructions.

# FIREPLACE SIZES

Each gas log set requires a minimum clearance for the front opening, height, and minimum depth. To determine the largest set that will fit into a fireplace, the depth and width are the critical dimensions. The following illustration reflects a view directly above the fireplace looking down. The minimum height for this model is 22 inches.



**TABLE I**

(Table I indicates the minimum depth and width for each set size)

<u>MODEL</u>	<u>MINIMUM DEPTH</u>	<u>MINIMUM FRONT WIDTH</u>
<b>21" RADIANT GLOW</b>	<b>16 INCHES</b>	<b>24 ½ INCHES</b>
<b>24" RADIANT GLOW</b>	<b>18 INCHES</b>	<b>28 ½ INCHES</b>
<b>30" RADIANT GLOW</b>	<b>18 INCHES</b>	<b>34 INCHES</b>

**TABLE II**

**FOR MASONRY BUILT FIREPLACES  
FREE OPENING AREA OF CHIMNEY DAMPER FOR VENTING  
COMBUSTION PRODUCTS FROM DECORATIVE APPLIANCES FOR  
INSTALLATION IN SOLID FUEL BURNING FIREPLACES**

	Appliance Input Rate (kBTU/hr)										
	20	30	40	50	60	70	80	90	100	110	120
Chimney Height*(ft)	Minimum Opening** (sq. in.)										
<b>6</b>	17.6	25.7	33.8	41.7	49.2	56.6	64.0	71.4	78.8	86.2	93.5
<b>8</b>	16.5	23.7	31.2	38.7	45.5	52.4	59.7	66.9	74.1	81.3	88.6
<b>10</b>	15.1	21.7	28.7	35.2	41.7	48.2	54.3	60.2	66.1	72.0	77.9
<b>15</b>	14.1	19.9	26.1	32.0	37.7	43.2	48.8	54.1	59.4	64.6	69.9
<b>20</b>	12.9	18.5	23.7	28.8	34.3	39.8	44.4	49.1	53.8	58.4	63.0
<b>30</b>	12.2	16.9	21.6	26.5	31.2	35.9	40.3	44.5	48.6	52.7	56.6

\* Height is from hearth to top of chimney and the minimum height is 6 feet.

\*\* Chart shows minimum opening (sq. in.) for a given height and input rate.

# RADIANT GLOW

## Parts list

<u>ITEM DESCRIPTION</u>	<u>21" SETS</u>	<u>24" SETS</u>	<u>30" SETS</u>
1. Pedestal Grate	PG-16	PG-20	PG-25
2. Ember Burner	EB-14	EB-18	EB-22
3. HVF-Burner	HBF-18	HBF-24	HBF-24
4. Burner Brackets	PGRG2124	PGRG2124	PGRG30
5. Embers	EM-1	EM-1	EM-1
6. Burner Connector	RGAC-19	RGAC-17	RGAC-16
7. Sand	SD-1	SD-1	SD-1
8. Volcanic Cinder	VC-1	VC-1	VC-1
9. Fire Logs	NOT SHOWN	NOT SHOWN	NOT SHOWN
10. Damper Stop	DS	DS	DS
11. Aluminum Connector	AC-18	AC-18	AC-18
12. HVF-Orifice	PPH-2#39	PPH-2#30	PPH-2#30
13. EB Orifice	HCPP-4#23	HCPP-4#23	HCPP-4#22
EB Orifice Insert	Swedge-4	Swedge-4	Swedge-4
14. 3/8 FL x 1/2 Elbow (2 Required)	50-6-8	50-6-8	50-6-8
15. Regulator	REG-4.0	REG-4.0	REG-4.0
16. Standard Orifice	46-6-8	46-6-8	46-6-8
18. Super Wool	NOT SHOWN	NOT SHOWN	NOT SHOWN



5



6



7



8



9

FIRE LOGS  
NOT SHOWN

10.



11



12



13



14



15



16



# INSTALLATION INSTRUCTIONS FOR HARGROVE RADIANT GLOW

## DAMPER STOP (OPTIONAL)

Attach the damper stop clamp to the fireplace damper blade. Position the clamp to prevent full closure of the fireplace damper blade. (See Figure I)

See Table II for Minimum Opening Requirements.

**\* CAUTION \***  
**THE DAMPER MUST BE OPEN WHEN  
OPERATING THE GAS LOGS!**

## EMBER BURNER POSITIONING

1. Turn your gas supply **off**.
2. Remove the old log lighter, ashes, and any other loose material from the firebox.
3. Center the **Ember Burner** on the fireplace floor with the burner pipe completely visible from the front of the fireplace. For best results, the ember burner should be directly under the flue opening with a minimum of 4" from the front edge of the ember burner to the fireplace opening.
4. Place the **grate** over the ember burner so the front legs of grate are just in front of the ember burner pipe. Once the final positioning is established, mark the burner and grate position on the floor of the fireplace for reference points. Remove the grate and proceed with the gas connection. (See Figure II)

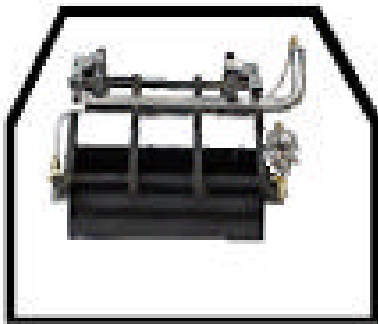


Figure II

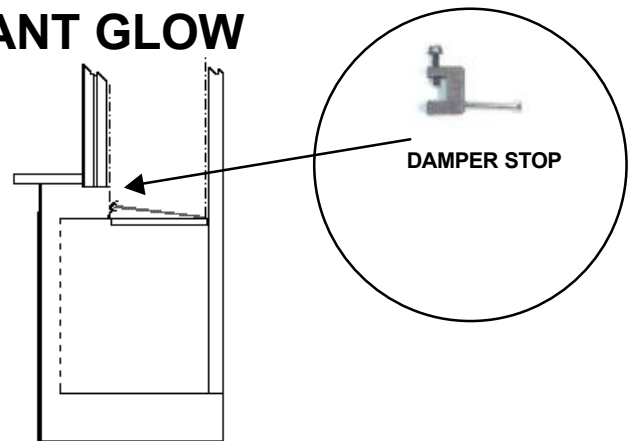


Figure I

## GAS CONNECTIONS

1. The gas supply line should be 1/2 inch inside diameter up to 30 feet and 3/4 inch for longer distances.
2. Use the **aluminum connector** to connect the gas supply to the manifold regulator. When bending the aluminum tubing, use proper bending procedures to avoid kinking the tube.
3. Use the **RGAC Burner Connector** to connect the **Ember Burner** to the **Grate and HVF-Burner Assembly**.
4. Turn the gas supply on and check all gas connections from the inlet gas supply to the Ember Burner for leaks using soapy water.
5. The damper must be open during any operation. Place a lighted match next to the burner pipe. Do not hold the match in your hand while lighting the gas. Turn the gas valve on slowly until the gas ignites. Check the flame for even distribution and pressure. Turn the gas valve to the off position. Do not close the damper until all the flames have extinguished. Keep the glass doors open during any operation of the unit. (See Figure III)

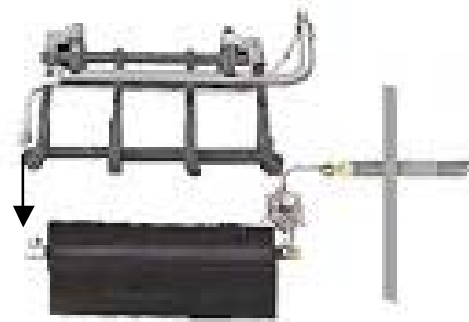


Figure III

# INSTALLATION INSTRUCTIONS FOR HARGROVE RADIANT GLOW

Page 2

## BURNER PAN MEDIA

1. Fill the burner pan with **silica sand**. Sand level should be sloped evenly with the sides of the ember burner. Place 2/3 of the **rockwool/embers** on top of the sand. The burner should be completely full and level. The rockwool simulates glowing embers. For best results, feather the edges of the rockwool out. Place as much as desired over the area the gas comes through.
2. Sprinkle a small portion of the **vermiculite/embers** over the rockwool.
3. Light the gas and observe flame for even distribution.  
(See Figure IV)

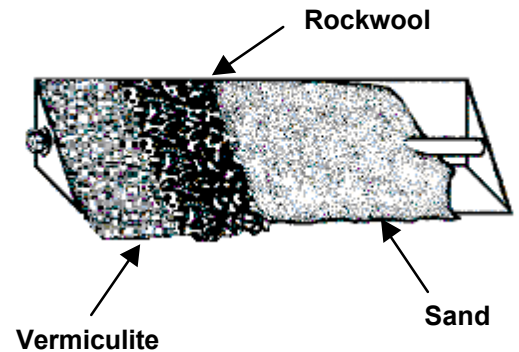


Figure IV

## LOG PLACEMENT

1. The two widest logs are for a **front log** application. They should be placed as illustrated in Figure V.
2. The lightweight ceramic fiber log is the **back log**. Flip the back log over to find the positioning slots that allow it to fasten into place on the grate. (The bottom side with the slots is a flat untextured side that has notches that lay over the pedestals of the grate). Place the slots over the vertical portion of the PGRG brackets. The notches should extend over the pedestal of the grate. The position of the back log may be adjusted on an angle for optimal glow  
(See Figure VI)
3. The remaining logs are **top logs**. These logs are bridged between the front logs and the back log.



Figure V

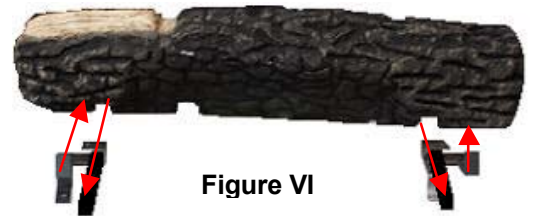


Figure VI

## VOLCANIC CINDERS

1. The black **volcanic cinders** are used to cover the fireplace floor, fittings and tubing around the burner system. Although not functional, the black cinders act as a picture frame to show off the glowing embers and yellow flame.

## FOR YOUR SAFETY

Do not use this appliance if any part has been under water. Immediately call a qualified service technician to inspect the appliance and to replace any part of the system or gas control that has been under water.

Keep this appliance clear and free of combustible materials, gasoline, and other flammable vapors or liquids.



## LIMITED WARRANTY

### Refractory Logs

Hargrove gas logs carry a limited lifetime warranty against any manufactured defect or breakage when installed indoors. A replacement will be available from the dealer at which the appliance was purchased. This warranty does not cover breakage caused by excessive handling once installed and fired. Outdoor applications carry a one (1) year limited warranty.

### Burner & Grate

If the burner or grate fails due to deterioration within two (2) years of the verified purchase date, a free replacement will be made available from the dealer at which the appliance was purchased.

### Valves, Remote Controls, & Switching Devices

Hargrove warrants all valves, remote controls and switching devices against manufacturing defects, which appear within two (2) years of the verified purchase date. Warranty does not cover products that have been damaged by misuse from overheating. Before any product is returned a Return Goods Authorization number (RGA) must be issued by Hargrove's Customer Service Department. All returns must be accompanied by an explanation of the problem and all necessary parts.

### All Other Parts

If any assembled part should fail to operate or be found defective which appear within two (2) years of the verified purchase date, a replacement will be available from the dealer at which the appliance was purchased.

Buyer shall notify Hargrove Mfg Corp. of any defect covered by this warranty no later than thirty (30) days after defect is discovered. Failure to provide notice within thirty (30) days shall void the limited warranty.

## WHAT IS NOT COVERED

1. Removal and reinstallation costs.
2. Labor costs for replacement or repairs.
3. Transportation or shipping cost.
4. The cost of a service call to diagnose trouble.
5. Painted Surfaces.
6. Damage or defect caused by improper installation, accident, misuse, abuse, alteration, or authorized service technician.
7. Replacement of burner or combustion chamber resulting from improper storage of the appliance.

## LIMITATIONS AND EXCLUSIONS

1. No one has authority to add to or vary this limited warranty, or to create for Hargrove Manufacturing Corporation any other obligation or liability in connection with this appliance.
2. Any implied warranty applicable to this appliance is limited in duration to the same period of time as this written Warranty. Some states do not allow limitations on how long an implied warranty lasts, so the above limitations may not apply to you.
3. HARGROVE MANUFACTURING CORPORATION WILL NOT BE LIABLE FOR INCIDENTAL, CONSEQUENTIAL, SPECIAL OR CONTINGENT DAMAGES YOU MIGHT SUFFER AS A RESULT OF A CLAIM UNDER THIS WRITTEN WARRANTY OR ANY IMPLIED WARRANTY. Some states do not allow the exclusion or limitation of incidental or consequential damages, so the above limitations or exclusion may not apply to you.
4. This warranty applies only to the original purchaser and may not be transferred or assigned.
5. If you cannot verify the purchase date of the appliance, the warranty period will begin on the date of which the appliance was manufactured.
6. Replacement or repair parts are warranted for the remaining period of the original part warranty. Warranty parts must be obtained through authorized dealers of this product who will provide original factory replacement parts. Failure to use original factory replacement parts voids this warranty.
7. The maximum liability of Hargrove Mfg Corp. in connection with this limited warranty shall not in any case exceed the contract price paid for the product claimed to be defective or unsuitable.
8. Purchaser or user agrees to hold Hargrove Mfg Corp. harmless from any and all claims by the buyer as a result of injury or damage to an ultimate user or other person caused by the product sold herein by the seller to the buyer, whether the injury or damage results from the assembly, installation, operation, shipment, storage, or manufacture of this product. Hargrove Mfg Corp. makes no warranties, expressed or implied, other than those expressly stated herein.

## YOUR DUTIES

This appliance must be installed by a qualified installer, operated and maintained in accordance with all applicable codes and the instructions furnished with the appliance. You must provide a receipt verifying the purchase date of the appliance when making a warranty claim with the dealer from which the appliance was purchased.

This warranty gives you specific legal rights, and you may also have other rights, which vary from state to state.

**To register your Hargrove product, please visit our website at <http://www.hargrovegaslogs.com/reg.htm>.**

**CONTACT INFO: Hargrove Manufacturing Corp.**

**Tele: (800) 725-4166**