



# INSTALLATION AND OPERATION GUIDE FOR

# HARGROVE GAS LOGS

TRIPLE BURNER

LIQUID PROPANE

## **ADEQUATE FIREPLACE VENTILATION IS REQUIRED FOR SAFETY**

GAS LOGS MUST BE INSTALLED BY PERSONNEL QUALIFIED FOR INSTALLING GAS APPLIANCES.

## **NOTE !**

READ INSTRUCTIONS FULLY BEFORE INSTALLING OR OPERATING.

**INSTALLER LEAVE THESE INSTRUCTIONS WITH CONSUMER!**

Hargrove Manufacturing Corporation uses refractory material to create ceramic logs. Each log is hand finished to assure the most realistic, detailed log available. The gas log burner system is designed to burn like wood—with a yellow smoky flame. For this reason the gas log set must be burned only in a fully vented, non-combustible fireplace with the damper completely open and the chimney free of any obstructions or restrictions. The fireplace must be designed and approved to burn wood. The minimum permanent, free opening provided by the fireplace chimney must be 8" in diameter (50 square inches).

**IT IS THE HOME OWNERS RESPONSIBILITY TO ASSURE THEIR FIREPLACE HAS ADEQUATE DRAFT.**

The realistic yellow flame produces carbon monoxide and soot. Under normal conditions these products are exhausted up the chimney. If fumes or soot from the gas burning are evident in the room when the damper is fully open, it indicates that the fireplace draft is defective. Do not operate your gas log set until the fireplace draft is corrected.

## **ADEQUATE VENTILATION IS REQUIRED.**

### **FOR YOUR SAFETY**

IF YOU SMELL GAS:

1. OPEN WINDOWS
2. DON'T TOUCH ELECTRICAL SWITCHES
3. EXTINGUISH ANY OPEN FLAMES
4. IMMEDIATELY CALL YOUR GAS SUPPLIER

FLAMMABLE VAPORS MAY BE DRAWN BY AIR CURRENTS FROM OTHER AREAS OF YOUR HOUSE TO THIS APPLIANCE.

### **FOR YOUR SAFETY**

DO NOT STORE OR USE GASOLINE OR OTHER FLAMMABLE VAPORS AND LIQUIDS IN THE VICINITY OF THIS OR ANY OTHER APPLIANCE.

THE SIZE CHART BELOW INDICATES THE RECOMMENDED MINIMUM SIZE FIREPLACE OPENINGS IN WHICH DIFFERENT SIZE GAS LOG SETS CAN BE INSTALLED.

### **FIREPLACE SIZES**

GAS LOG SET SIZE	DEPTH	FRONT WIDTH
18"	14"	22"
21"	14"	25"
24"	14"	28"
30"	14"	34"



## GENERAL INFORMATION

**DO NOT USE A NATURAL GAS SET FOR PROPANE OR A PROPANE SET FOR NATURAL GAS. WHEN USING PROPANE (LPG) GAS A PROPANE TRIPLE BURNER SYSTEM MUST BE INSTALLED.**

1. There are many different local codes for gas fire logs. The installation of this set must conform with local codes or, in the absence of local codes, with the National Fuel Gas Code ANSI Z223.1 1984.
2. ***This log set is designed for use with Liquid Propane.***
3. When glass fireplace doors are used always operate gas log set with the doors fully open to allow for proper combustion air.
4. A fire screen must be in place when the log set is in use.
5. The appliance and its individual shut off valve must be disconnected from the gas supply piping system at test pressures in excess of 1/2 psig. The appliance must be isolated from the gas supply piping system by closing its individual manual shut off valve during any pressure testing of gas supply system at test pressures equal to or less than 1/2 psig.
6. Minimum inlet supply pressure for Liquid Propane is 11" water column. Maximum inlet supply pressure for Liquid Propane is 13" water column.
7. After burning, the logs become fragile and should not be handled. Knocking or rubbing logs can cause concrete to crumble and is not covered under the warranty.
8. ***Do not burn wood with this set.***

**NOTE:** GAS LOGS MUST BE INSTALLED BY PERSONNEL QUALIFIED TO INSTALL GAS APPLIANCES.

## INSTALLING YOUR H A R G R O V E GAS LOGS

Remove all the parts from the shipping container. Your set includes the following parts...

### Number by Set

1. Triple Burner
2. Pedestal Grate Facing
3. Fire Logs
4. Vermiculite
5. Fire Embers
6. Volcanic Cinders
7. Aluminum Connector 18"
8. Log-Damper Clamp
9. 1/2" FIP X 3/8" OD BRASS (not shown)
10. Concentric Pilot Control

2 = Log Clamps included

\*1 = damper clamp included if the set is RADCO approved

### 18" Sets

TB-18  
PGF-18

### 24" Sets

TB-24  
PGF-24

### 30" Sets

TB-30  
PGF-30

### -Number of logs determined by set size-

VM-8=2

VM-10=2

VM-12=2

EM=2

EM=2

EM=2

VC=1

VC=1

VC=1

AC-18

AC-18

AC-18

DS = 2 or 3

DS=2 or 3

DS=2 or 3

46-6-8

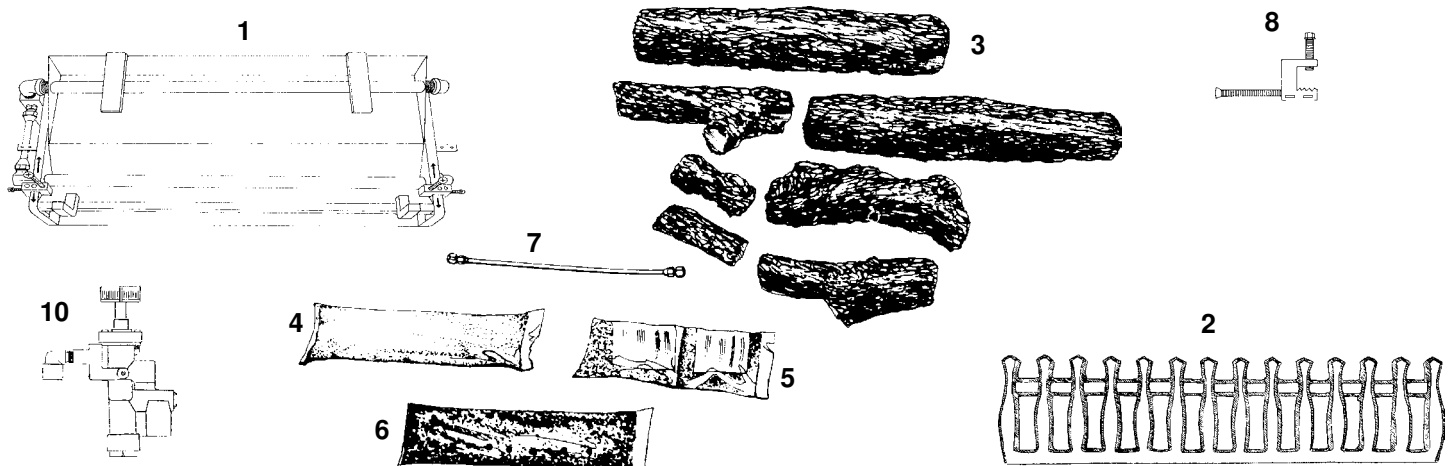
46-6-8

46-6-8

CPC

CPC

CPC



## DAMPER STOP (optional)

Attach the damper stop clamp to the fireplace damper blade.  
Position the clamp to prevent closure of the fireplace blade.

If the damper stop provided does not fit, the installer shall install a permanent damper stop that will keep the damper open a minimum of 3".

**\* CAUTION \***  
**THE DAMPER MUST BE FULLY OPEN WHEN  
OPERATING THE GAS LOGS!**

## TRIPLE BURNER POSITIONING

1. Turn gas **off**.
2. Remove old log lighter, ashes, and other material from the firebox.
3. Center the Triple Burner on the fireplace floor with the all burner pipes visible from the front. For best results the burner system should be directly under the flue opening.

## GAS CONNECTION

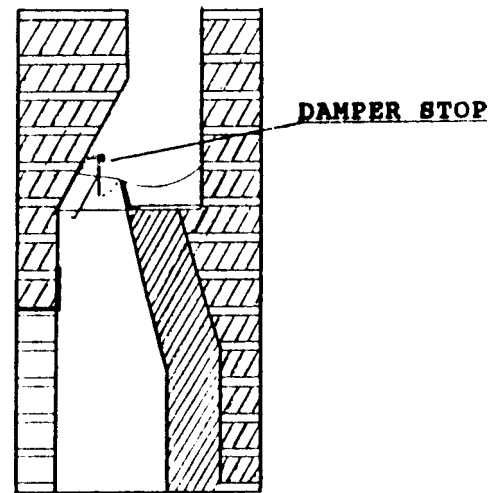
1. The gas supply line should be 1/2" Inside Diameter (ID) up to 30 feet and 3/4" for longer distances.
2. Use the **AC-18** to connect the gas supply line to the (48-6-6) 3/8 MIP X 3/8 FL brass that is connected to the CPC-C. When bending aluminum tubing use proper bending procedures to avoid kinking the tube.
3. Check all connections for leaks using a soapy water solution.
4. Damper must remain fully open during operation. Place a lighted match next to each burner pipe. Do not hold the match in your hand while lighting the gas. Turn the gas supply on slowly until the gas ignites. Check the flame for even distribution, flame height and pressure. After checking the flame turn off the fire. (To turn off the fire turn the gas valve off.) Do not close the damper until all the flames have died. Keep the glass doors fully open during all burning.
5. Go to the Pilot Control section of the Installation Instructions for proper lighting and operation of the pilot valve.

**IMPORTANT:** There are 3 brass Air Mixers on the Triple Burner. The color of the flame can be slightly changed by turning the air adjusting nut. When the holes in the air mixer can be seen it is open and the flame will burn a light yellow. This position will produce the least amount of soot. When closed the flame will burn a yellow-orange color and produce more soot. It is recommended that the air mixer be completely open.

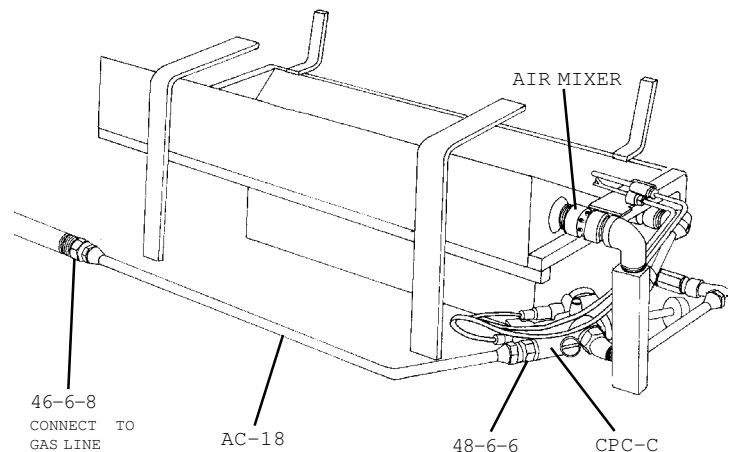
## VERMICULITE PLACEMENT

1. Fill the Back Burner with vermiculite. Vermiculite level should be sloped evenly with sides of Back Burner.
2. Fill the V-Burner pan with vermiculite allowing it to mound up above the bars on the side of the pan. Allow the vermiculite from the V-Burner and Back Burner to connect.
3. Fill the Ember Tray so that the vermiculite mounds over the burner pipe.

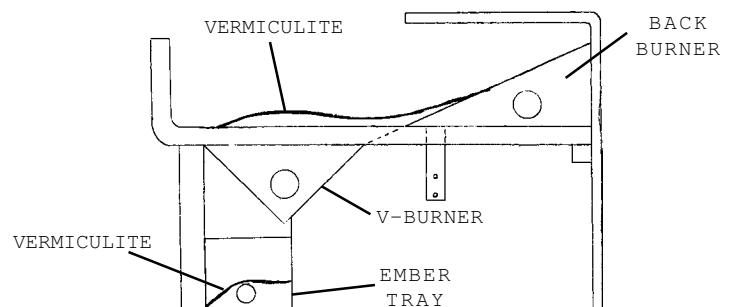
## DAMPER STOP POSITIONING



## BACK VIEW OF TRIPLE BURNER



## SIDE VIEW OF TRIPLE BURNER



Determine whether you have a **Standard** style log set or **Campfire** style log set to follow the appropriate instruction section. Campfire sets will be designated as Campfire Oak or Campfire Pine only.

## **STANDARD SET LOG AND EMBER PLACEMENT**

1. Attach the Log Clamps to the bars located on the right and left side of the V-Burner (the long screw should be vertical). The front log will rest on these clamps.

2. The longest log is the Front Log. It should be placed in the vermiculite above the V-Burner with the flat, unfinished side in the vertical position. The front of the log should rest on the Log Clamps.

**IMPORTANT:** Vermiculite from the V-Burner must connect with the bottom of the front log to achieve front flame. Also, the Log Clamps can be adjusted forward or backward depending on how much front flame is desired.

3. The second longest log is the Back Log. It is positioned on the back pedestal of the Triple Burner with the flat side down.

4. The remaining logs are the Top Logs. These logs are placed diagonally across the Front and Back Logs and can be arranged to create the most realistic flame patterns.

5. Place 1/2 of the Part A Embers on top of the vermiculite in front of the Front Log and on the Ember Tray.

6. Part B Embers (rockwool) are placed over the Part A Embers to simulate glowing embers. For best results pinch off pieces of the Part B material the size of a dime and feather it out. Place as much as desired over the area the gas comes through.

## **CAMPFIRE SET LOG AND EMBER PLACEMENT**

NOTE: THE LOG CLAMPS ARE NOT NEEDED ON THE CAMPFIRE INSTALLATION.

1. The longest log is the Back Log. It is positioned on the back pedestal of the Triple Burner with the flat unfinished side down in the vertical position (being able to set unfinished side vertical depends on style of log set).

2. Place 2/3 of the Part A Embers on top of the vermiculite on all burners.

3. Part B Embers (rockwool) are placed over the Part A Embers to simulate glowing embers. For best results pinch off pieces of the Part B material the size of a dime and feather it out. Place as much as desired over the area the gas comes through.

4. The remaining logs are Top Logs. These logs should be positioned vertically in the ember bed leaning up against the Back Log.

## **PEDESTAL GRATE FACING**

1. Attach the hanging tabs on the Pedestal Grate Facing to the outer tines on the Triple Burner.

## **VOLCANIC CINDERS**

1. The black Volcanic Cinders are used to cover the fireplace floor, fittings, and tubing around the burner system. Although not functional, the black cinders act as a picture frame to show off the glowing embers and yellow flame.

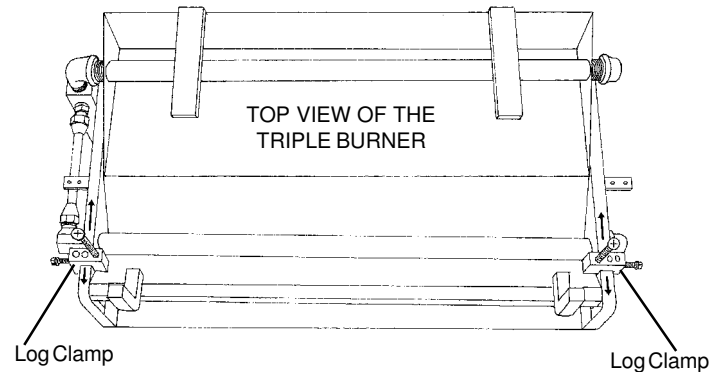
**\* CAUTION \***  
**THE DAMPER MUST BE FULLY OPEN WHEN OPERATING THE GAS LOGS!**

## **FOR YOUR SAFETY**

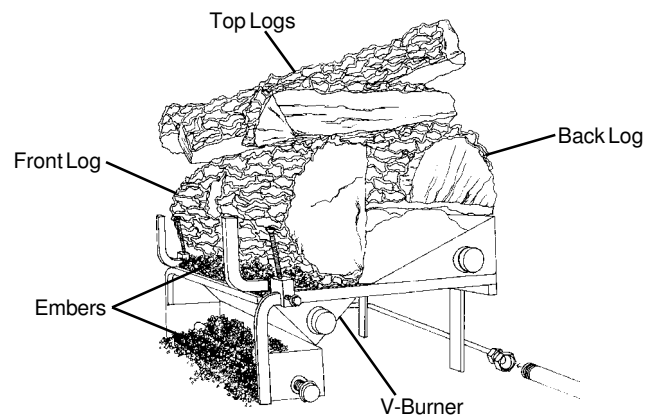
Do not use this appliance if any part has been under water. Immediately call a qualified service technician to inspect the appliance and to replace any part of the system or gas control which has been under water.

Keep this appliance clear and free from combustible materials, gasoline, and other flammable vapors and liquids.

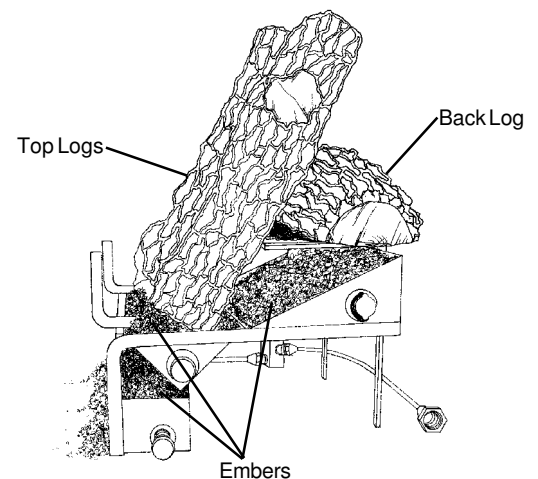
## **LOG CLAMP POSITIONING**



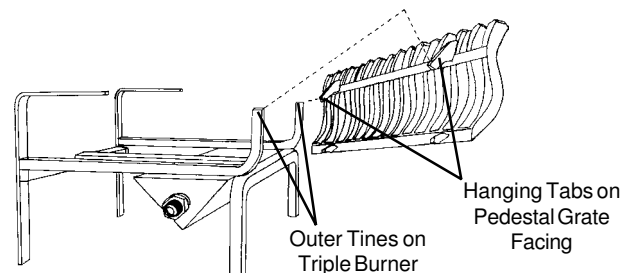
## **SIDE VIEW OF STANDARD SET LOG STACK**



## **SIDE VIEW OF CAMPFIRE LOG STACK**



## **ATTACHING THE PEDESTAL GRATE FACING**





# HARGROVE

## CONCENTRIC PILOT CONTROL (CPC)

### LIGHTING INSTRUCTIONS FOR USE WITH *TRIPLE BURNER*

**ONLY USE THIS INSTRUCTION IF YOUR BURNER SYSTEM HAS A FACTORY INSTALLED CPC OR USE IT *IN PLACE* OF THE LIGHTING INSTRUCTION INCLUDED IN THE CPC PARTS ONLY KIT.**

Your gas log set is equipped with a concentric pilot control (CPC). The CPC combines safety and convenience for your added enjoyment. Please take a few minutes to study these instructions which will assist in a simplified installation and make you aware of some necessary precautions.

This gas pilot safety valve provides 100% shut off of both pilot and main burner gas supply in the event of pilot flame failure. This valve is equipped with a 3 position gas control knob to provide for pilot lighting. This control allows pilot flame adjustment.

If the pilot flame goes out during normal operation, or if there is insufficient pilot flame to provide proper thermocouple output, the safety valve will close, stopping the flow of all gas. This valve is designed for use on all domestic heating gases up to 1/2" PSI.

**IMPORTANT:** 1. USE ONLY THE CPC-C WHEN MOUNTING THE VALVE PER THIS INSTRUCTION. IF USING THE SPC-C OR MV-V, MOUNT THE VALVE CLOSE TO THE FRONT OPENING OF THE FIREBOX SO THE VALVE WILL RECEIVE MAXIMUM AIR.

#### **PARTS LIST**

- |           |                                   |           |                                      |
|-----------|-----------------------------------|-----------|--------------------------------------|
| 1. CPC-C  | CONTROL VALVE                     | 4. FU6-6  | 3/8" BRASS ADAPTER                   |
| 2. CPC-EH | 3" EXTENSION HANDLE               | 5. TPB-18 | THERMOCOUPLE & PILOT BURNER ASSEMBLY |
| 3. 46-6-6 | BRASS UNION 3/8" MIP X 3/8" FLARE |           |                                      |

### **FOR YOUR SAFETY READ BEFORE LIGHTING**

**! WARNING !** If you do not follow these instructions exactly, a fire or explosion may result causing property damage, personal injury or loss of life.

A. This appliance has a pilot which must be lighted by hand. When lighting the pilot, follow these instructions exactly.

B. BEFORE LIGHTING smell all around the appliance area for gas. Be sure to smell next to the floor because some gas is heavier than air and will settle on the floor.

C. Use only your hand to push in or turn the gas control knob. Never use tools. If the knob will not push in or turn by hand, don't try to repair it, call a qualified service technician. Force or attempted repair may result in fire or explosion.

D. Do not use this appliance if any part has been under water. Immediately call a qualified service technician to inspect the appliance and to replace any part of the control system and any gas control which has been under water.

#### **FOR YOUR SAFETY**

##### **"WHAT TO DO IF YOU SMELL GAS"**

- \* Do not try to light any appliance
- \* Do not touch any electrical switch; do not use any phone in your building
- \* Immediately call your gas supplier from a neighbor's phone. Follow the gas supplier's instructions.
- \* If you cannot reach your gas supplier, call the fire department.

## LIMITED WARRANTY

### Refractory Logs

Hargrove gas logs carry a limited lifetime warranty against any manufactured defect or breakage when installed indoors. A replacement will be available from the dealer at which the appliance was purchased. This warranty does not cover breakage caused by excessive handling once installed and fired. Outdoor applications carry a one (1) year limited warranty.

### Burner & Grate

If the burner or grate fails due to deterioration within two (2) years of the verified purchase date, a free replacement will be made available from the dealer at which the appliance was purchased.

### Valves, Remote Controls, & Switching Devices

Hargrove warrants all valves, remote controls and switching devices against manufacturing defects, which appear within two (2) years of the verified purchase date. Warranty does not cover products that have been damaged by misuse from overheating. Before any product is returned a Return Goods Authorization number (RGA) must be issued by Hargrove's Customer Service Department. All returns must be accompanied by an explanation of the problem and all necessary parts.

### All Other Parts

If any assembled part should fail to operate or be found defective which appear within two (2) years of the verified purchase date, a replacement will be available from the dealer at which the appliance was purchased.

Buyer shall notify Hargrove Mfg Corp. of any defect covered by this warranty no later than thirty (30) days after defect is discovered. Failure to provide notice within thirty (30) days shall void the limited warranty.

## WHAT IS NOT COVERED

1. Removal and reinstallation costs.
2. Labor costs for replacement or repairs.
3. Transportation or shipping cost.
4. The cost of a service call to diagnose trouble.
5. Painted Surfaces.
6. Damage or defect caused by improper installation, accident, misuse, abuse, alteration, or authorized service technician.
7. Replacement of burner or combustion chamber resulting from improper storage of the appliance.

## LIMITATIONS AND EXCLUSIONS

1. No one has authority to add to or vary this limited warranty, or to create for Hargrove Manufacturing Corporation any other obligation or liability in connection with this appliance.
2. Any implied warranty applicable to this appliance is limited in duration to the same period of time as this written Warranty. Some states do not allow limitations on how long an implied warranty lasts, so the above limitations may not apply to you.
3. HARGROVE MANUFACTURING CORPORATION WILL NOT BE LIABLE FOR INCIDENTAL, CONSEQUENTIAL, SPECIAL OR CONTINGENT DAMAGES YOU MIGHT SUFFER AS A RESULT OF A CLAIM UNDER THIS WRITTEN WARRANTY OR ANY IMPLIED WARRANTY. Some states do not allow the exclusion or limitation of incidental or consequential damages, so the above limitations or exclusion may not apply to you.
4. This warranty applies only to the original purchaser and may not be transferred or assigned.
5. If you cannot verify the purchase date of the appliance, the warranty period will begin on the date of which the appliance was manufactured.
6. Replacement or repair parts are warranted for the remaining period of the original part warranty. Warranty parts must be obtained through authorized dealers of this product who will provide original factory replacement parts. Failure to use original factory replacement parts voids this warranty.
7. The maximum liability of Hargrove Mfg Corp. in connection with this limited warranty shall not in any case exceed the contract price paid for the product claimed to be defective or unsuitable.
8. Purchaser or user agrees to hold Hargrove Mfg Corp. harmless from any and all claims by the buyer as a result of injury or damage to an ultimate user or other person caused by the product sold herein by the seller to the buyer, whether the injury or damage results from the assembly, installation, operation, shipment, storage, or manufacture of this product. Hargrove Mfg Corp. makes no warranties, expressed or implied, other than those expressly stated herein.

## YOUR DUTIES

This appliance must be installed by a qualified installer, operated and maintained in accordance with all applicable codes and the instructions furnished with the appliance. You must provide a receipt verifying the purchase date of the appliance when making a warranty claim with the dealer from which the appliance was purchased.

This warranty gives you specific legal rights, and you may also have other rights, which vary from state to state.

**To register your Hargrove product, please visit our website at <http://www.hargrovegaslogs.com/reg.htm>.**

**CONTACT INFO: Hargrove Manufacturing Corp.**

**Tele: (800) 725-4166**